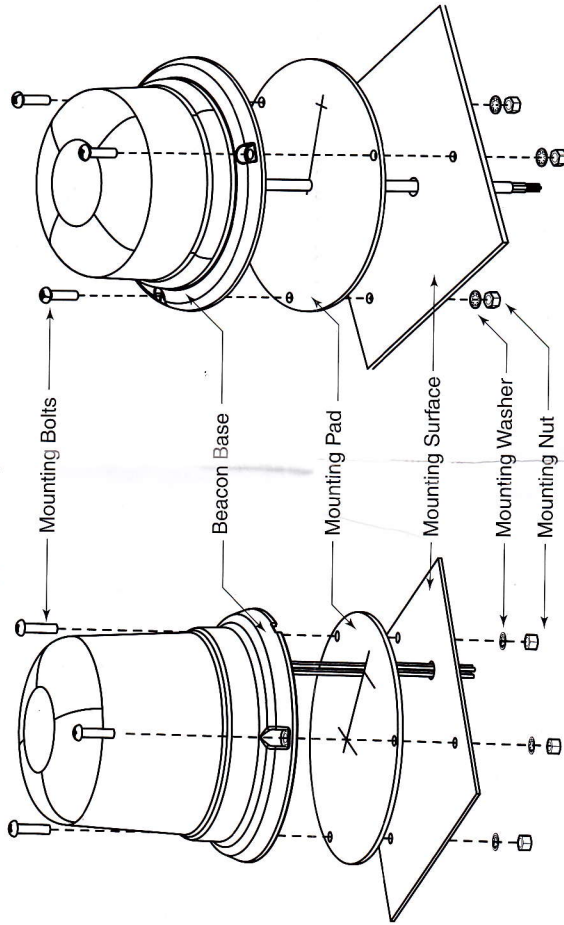


INSTALLATION — FLANGE BASE

- 1 Prepare a suitable area on the vehicle's surface by wiping it clean to prevent scratching.
- 2 Drill a 10mm (3/8") hole into the surface for the wires to exit through for connection to a power source. Alternatively, the wires can be directed through the side of lamp's base for connection to a power source.
- 3 Using the lamp as a template, drill three holes for fitment and secure to the surface using the supplied mounting bolts. A mounting pad is included and can be installed between the surface and the lamp.
- 4 Route the wires as planned in step 2. Connect the red (+) wire to 12/24VDC and the black (-) wire to ground. Test.

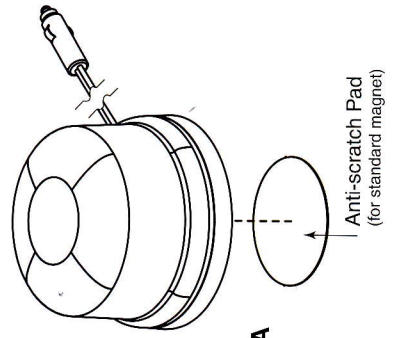


P/No. 85260A

P/No. 85254A

INSTALLATION — MAGNETIC BASE

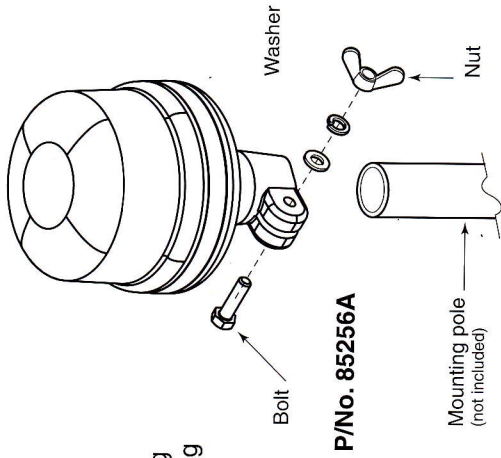
- 1 Position lamp on a suitable surface and ensure the lamp is secure.
- 2 Insert cigarette plug into a suitable cigarette lighter socket.



P/No. 85258A

INSTALLATION — PIPE MOUNT (DIN)

- 1 Position pipe mount connecting piece on a suitable surface and secure (use Narva part no. 85490/85491, not included with 85256A)
- 2 Insert lamp into pipe mount connecting piece and secure by tightening the wing nut located on the lamp.



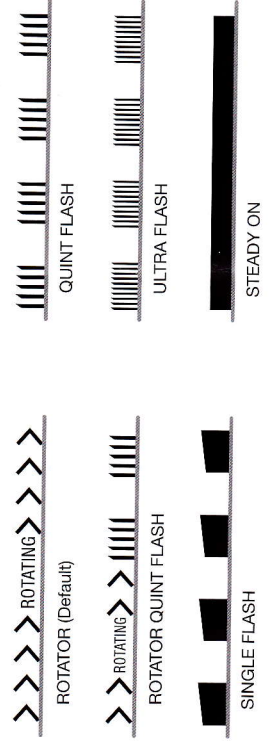
P/No. 85256A

WIRING

- RED:** To 12/24VDC (+)
BLACK: To chassis ground (-)
YELLOW: To yellow for synchronising flashing (multiple beacons only)
WHITE: To red 12/24VDC (+) for alternating flashing (multiple beacons only)

FLASH PATTERNS

The unit comes with 6 user-selectable flash patterns:



ADJUSTING FLASH PATTERN – FLASH PATTERN ADJUSTMENT SWITCH (Flange, Magnetic & Pipe Mount Base)

- 1 Open beacon – Push down on **A**, and twist dome counter-clockwise **B**, then lift dome to open.
 - 2 Change pattern – Momentarily push red button to change to next flash pattern (see flash patterns chart below).
 - 3 Close beacon – Align dome indent **A**, to the ribless screw **C**, then twist clockwise to close **D**.
-

ADJUSTING FLASH PATTERN (Flange Base Only)

- 1 Connect all YELLOW wires of each lamp together for synchronisation, all lamps must be set to the same flash pattern.
- 2 Momentarily apply +VDC to the YELLOW wire, touch wire once to change to next pattern & quickly three times to reset.

WARRANTY STATEMENT

Applicable only to product sold in Australia

Brown & Watson International Pty Ltd of 1500 Ferntree Gully Road, Knoxfield, Vic, telephone (03) 9730 6000, fax (03) 9730 6050, warrants that all products described in its current catalogue (save and except for all bulbs and lenses whether made of glass or some other substance) will under normal use and service be free of failures in material and workmanship for a period of one (1) year (unless this period has been extended as indicated elsewhere) from the date of the original purchase by the consumer as marked on the invoice. This warranty does not cover ordinary wear and tear, abuse, alteration of products or damage caused by the consumer.

To make a warranty claim the consumer must deliver the product at their cost to the original place of purchase or to any other place which may be nominated by either BWI or the retailer from where the product was bought in order that a warranty assessment may be performed. The consumer must also deliver the original invoice evidencing the date and place of purchase together with an explanation in writing as to the nature of the claim.

In the event that the claim is determined to be for a minor failure of the product then BWI reserves the right to repair or replace it at its discretion. In the event that a major failure is determined the consumer will be entitled to a replacement or a refund as well as compensation for any other reasonably foreseeable loss or damage.

This warranty is in addition to any other rights or remedies that the consumer may have under State or Federal legislation.

IMPORTANT NOTE

Our goods come with guarantees that cannot be excluded under the Australian Consumer Law. You are entitled to a replacement or refund for a major failure and compensation for any other reasonably foreseeable loss or damage. You are also entitled to have the goods repaired or replaced if the goods fail to be of acceptable quality and the failure does not amount to a major failure.

Distributed by:

Brown & Watson Int. Pty. Ltd.
Knoxfield, Victoria 3180 Australia.

IS280 Issue 1 30.07.14

www.narva.com.au

NARVA®

EUROTECH

L.E.D. STROBE/ROTATING BEACON Class 1, 12/24V

Part Nos. 85254A, 85256A, 85258A, 85260A



Instructions, Specification & Warranty Details