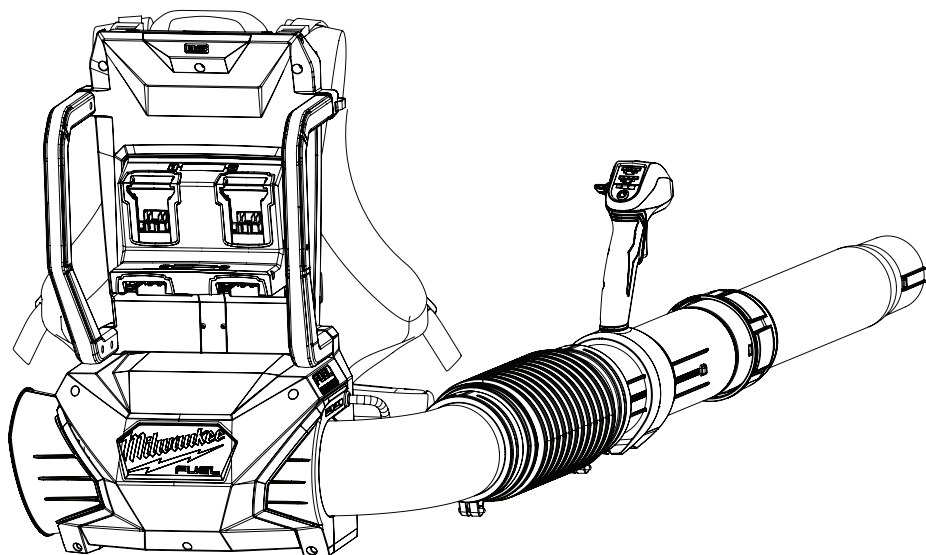






OPERATOR'S MANUAL



Cat. No.
M18 F2BPBL

M18 FUEL™ DUAL BATTERY BACKPACK BLOWER

 **WARNING**
 To reduce the risk of injury, user must read and understand operator's manual.

IMPORTANT SAFETY INSTRUCTIONS

WARNING Read all safety warnings, instructions, illustrations and specifications provided with this power tool. Failure to follow all instructions listed below may result in electric shock, fire and/or serious injury. Save all warnings and instructions for future reference.

- This appliance is not intended for use by persons (including children) with reduced physical, sensory or mental capabilities, or lack of experience and knowledge, unless they have been given supervision or instruction concerning use of the appliance by a person responsible for their safety.
- Children should be supervised to ensure that they do not play with the appliance.

WORK AREA SAFETY

- **Do not use in the presence of explosive dust, liquids or vapours. Power tools have motors and other parts that can produce sparks during normal use.** Do not use within 10 m of areas where explosive materials may be present (such as gasoline pumps and places where liquids like paint thinners, cleaners, solvents, etc. are stored).
- **Do not use where oxygen or anesthetics are used.**
- **Use extra care when using on stairs. Do not overreach. Keep proper footing and balance at all times. Keep work area clean and well lit.** This enables better control of the tool in unexpected situations.
- **Avoid dangerous environmental conditions. To reduce the risk of electric shock, do not expose to rain. Store tool indoors.**
- **Inspect the area before using the power tool.** Remove all debris and hard objects such as rocks, glass, wire, etc. that can ricochet, be thrown, or otherwise cause injury or damage during operation.

PERSONAL SAFETY

- **Stay alert, watch what you are doing and use common sense when operating a power tool. Do not use a power tool while you are tired or under the influence of drugs, alcohol or medication.** A moment of inattention while operating power tools may result in serious personal injury.
- **Always wear eye protection. Use of this tool can result in foreign objects being blown into eyes, which can result in eye damage.**
- **Do not overreach.** Keep proper footing and balance at all times. This enables better control of the power tool in unexpected situations.
- **Use personal protective equipment. Always wear eye protection.** Protective equipment such as a dust mask, non-skid safety shoes, hard hat or hearing protection used for appropriate conditions will reduce personal injuries.
- **Dress properly. Do not wear loose clothing or jewellery. Keep your hair and clothing away from moving parts.** Loose clothes, jewellery or long hair can be caught in moving parts.
- **Do not point tool at self or bystanders. Keep bystanders 15 m away during use.** Objects may be thrown or ricochet in all directions.
- **Do not let familiarity gained from frequent use of tools allow you to become complacent and ignore tool safety principles.** A careless action can cause severe injury within a fraction of a second.

POWER TOOL USE AND CARE

- **Use the power tool, accessories, etc. in accordance with these instructions, taking into account the working conditions and the work to be performed.** Use of the power tool for operations different from those intended could result in a hazardous situation.
- **Prevent unintentional starting. Ensure the switch is in the off-position before connecting to power source and/or battery pack, picking up or carrying the tool.** Carrying power tools with your finger on the switch or energising power tools that have the switch on invites accidents.
- **Use the correct power tool for your application.** The correct power tool will do the job better and safer at the rate for which it was designed.
- **Use only as described in this manual.** Use only manufacturer's recommended attachments.
- **Do not point tool at anything that is burning or smoking** such as cigarettes, matches, or hot ashes.
- **To reduce the risk of health hazards from vapours or dust, do not use tool near toxic, carcinogenic or other hazardous materials** such as asbestos, arsenic, barium, beryllium, lead, pesticides or other health endangering materials.

- WARNING** Some dust created by power sanding, sawing, grinding, drilling, and other construction activities contains chemicals known to cause cancer, birth defects or other reproductive harm. Some examples of these chemicals are:
- lead from lead-based paint
 - crystalline silica from bricks and cement and other masonry products, and
 - arsenic and chromium from chemically-treated lumber.

- Your risk from these exposures varies, depending on how often you do this type of work. To reduce your exposure to these chemicals: work in a well ventilated area, and work with approved safety equipment, such as those dust masks that are specially designed to filter out microscopic particles.
- **Do not use power tool if the switch does not turn it on and off.** Any power tool that cannot be controlled with the switch is dangerous and must be repaired.
 - **Do not put hands or objects into openings.** Do not use with any opening blocked; keep free of dust, lint, hair, and anything else that may reduce air flow.
 - **Keep handles and grasping surfaces dry, clean and free from oil and grease.** Slippery handles and grasping surfaces do not allow for safe handling and control of the tool in unexpected situations.
 - **Maintain power tools and accessories. Check for misalignment or binding of moving parts, breakage of parts and any other condition that may affect the power tool's operation. If damaged, have the power tool repaired before use.** Many accidents are caused by poorly maintained power tools.

BATTERY PACK USE AND CARE

- **Remove the battery pack from the power tool before making any adjustments, changing accessories, storing, or any time the power tool is not in use.** Such preventive safety measures reduce the risk of starting the power tool accidentally.

- **Turn off power tool before removing battery pack.**
- **Do not handle battery pack, tool, or charger (including charger plug and terminals) with wet hands.**
- **Before using the battery pack or charger read the operator's manuals, and any labels on the battery pack, charger and tool.**
- **Recharge only with the charger specified by the manufacturer.** A charger that is suitable for one type of battery pack may create a risk of fire when used with another battery pack.
- **Use tool only with specifically designated battery packs.** Use of any other battery packs may create a risk of injury and fire.
- **When battery pack is not in use, keep it away from other metal objects, like paper clips, coins, keys, nails, screws or other small metal objects, that can make a connection from one terminal to another.** Shorting the battery terminals together may cause burns or a fire.
- **Under abusive conditions, liquid may be ejected from the battery; avoid contact. If contact accidentally occurs, flush with water. If liquid contacts eyes, seek medical help.** Liquid ejected from the battery may cause irritation or burns.
- **Do not use a battery pack or tool that is damaged or modified.** Damaged or modified batteries may exhibit unpredictable behaviour resulting in fire, explosion or risk of injury.
- **Do not expose a battery pack or tool to fire or excessive temperature.** Exposure to fire or temperature above 130°C (265°F) may cause explosion.
- **Follow all charging instructions and do not charge the battery pack or tool outside the temperature range specified in the instructions.** Charging improperly or at temperatures outside the specified range may damage the battery and increase the risk of fire.

SERVICE

- **Have your power tool serviced by a qualified repair person using only identical replacement parts.** This will ensure that the safety of the power tool is maintained.
- **Never service damaged battery packs.** Service of battery packs should only be performed by the manufacturer or authorised service providers.

SPECIFIC SAFETY RULES FOR BLOWERS

- **Wear eye, ear, head and hand protection.** Adequate protective equipment will reduce personal injury by flying debris.
- **While operating the machine, always wear safety footwear. Do not operate the machine when barefoot or wearing open sandals.** This reduces the chance of injury to the feet from contact with debris.
- **While operating the machine, always wear long trousers.** Exposed skin increases the likelihood of injury from thrown objects.
- **Keep bystanders, especially children and pets, away while operating the machine.** Thrown debris can result in serious personal injury.
- **Only use in daylight hours or in good artificial light.**
- **Keep air vents free from any debris.**

- Check all connections and parts are suitably attached and unit is in good working condition prior to commencing work.

AWARNING To reduce the risk of injury, when working in dusty situations, wear appropriate respiratory protection or use a suitable dust extraction solution.

- **Always use common sense and be cautious when using tools.** It is not possible to anticipate every situation that could result in a dangerous outcome. Do not use this tool if you do not understand these operating instructions or you feel the work is beyond your capability; contact MILWAUKEE® Tool or a trained professional for additional information or training.
- **Maintain labels and nameplates.** These carry important information. If unreadable or missing, contact a MILWAUKEE® service facility for a replacement.

AWARNING Some dust created by power sanding, sawing, grinding, drilling, and other construction activities contains chemicals known to cause cancer, birth defects or other reproductive harm. Some examples of these chemicals are:

- lead from lead-based paint
- crystalline silica from bricks and cement and other masonry products, and
- arsenic and chromium from chemically-treated lumber.

Your risk from these exposures varies, depending on how often you do this type of work. To reduce your exposure to these chemicals: work in a well ventilated area, and work with approved safety equipment, such as those dust masks that are specially designed to filter out microscopic particles.

READ AND SAVE ALL INSTRUCTIONS FOR FUTURE USE

ADDITIONAL BATTERY SAFETY RULES

AWARNING To reduce the risk of fire, personal injury, and product damage due to a short circuit, never immerse your tool, battery pack or charger in fluid or allow a fluid to flow inside them. Corrosive or conductive fluids, such as seawater, certain industrial chemicals, and bleach or bleach-containing products, etc., can cause a short circuit.

AWARNING Do not charge non-rechargeable batteries.

SPECIFICATIONS

Cat. No.	M18 F2BPBL
Volts.	36 V DC
Battery Type	M18™
Charger Type.....	M18™
RPM.....	0-21,500
Air Speed.....	0-250 kph
Air Flow.....	0-18.4 m³/min
Sound Power Level	98 dB(A)
Recommended Ambient Operating Temperature.....	-15°C to 45°C
Tapered Nozzle Cat. No.	204655005
Flat Nozzle Cat. No.	204655006


SYMBOLGY


V Volts


 Direct Current


n_r , XXXX min⁻¹ No Load Revolutions per Minute (RPM)

 Safety Alert Symbol


 Read Operator's Manual


 Always wear eye protection, hearing protection, and protective clothing and footwear.


 Sound Power Level


 Do not use in rain or wet locations. Electric shock could occur.

 Keep bystanders 15 m away during use


 Do not point tool at self or bystanders. Objects may be thrown or ricochet in all directions.

 Do not put hands or objects into openings. Laceration can occur.

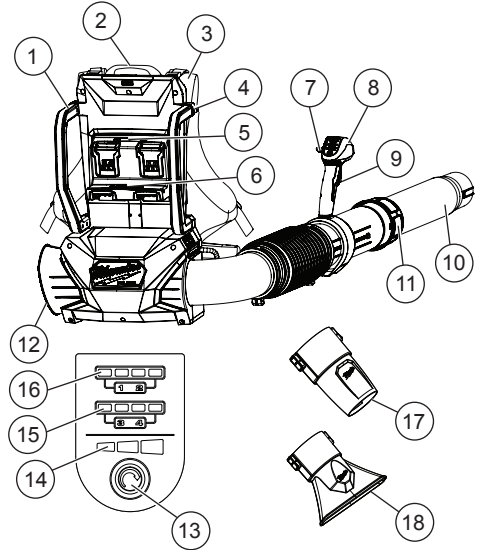
 Keep hair contained. It can be pulled into moving parts.

 Do not wear loose clothing or jewellery. It can be pulled into moving parts.

 Regulatory Compliance Mark (RCM). This product meets applicable regulatory requirements.

 Do not dispose of electric tools together with household waste material. Electric tools and electronic equipment that have reached the end of their life must be collected separately and returned to an environmentally compatible recycling facility.

FUNCTIONAL DESCRIPTION



- | | |
|---------------------------|------------------------------------|
| 1. Lift handles | 11. Collar |
| 2. Carrying handle | 12. Air intake vent |
| 3. Shoulder straps | 13. Mode cycle button |
| 4. Storage hook | 14. LED indicators |
| 5. Top battery bay* | 15. Bottom battery bay fuel gauge* |
| 6. Bottom battery bay* | 16. Top battery bay fuel gauge* |
| 7. Variable speed lock-on | 17. Tapered nozzle |
| 8. Control handle | 18. Flat nozzle |
| 9. Trigger | |
| 10. Extension tube | |

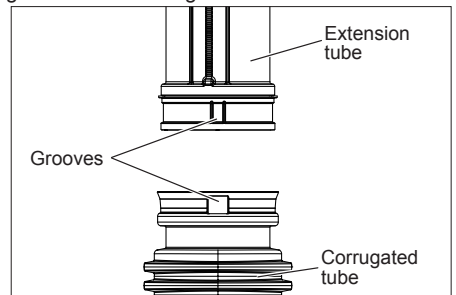
* Battery slots marked 1 and 2 make up the top battery bay. Battery slots marked 3 and 4 make up the bottom battery bay.

SET UP

The tool is shipped with the extension tube unassembled.

To assemble the system:

- ⚠WARNING** Remove battery to avoid starting the tool.
- Make sure the wire and shoulder straps do not intermingle.
- Line up the groove of the extension tube with the groove of the corrugated tube.

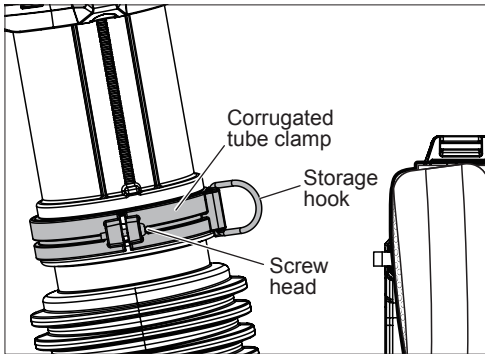


4. Push the extension tube into the corrugated tube ensuring the grooves lock into place with one another.

NOTE: To allow more space, the control handle can be moved further away from the corrugated tube (see "Adjusting the Control Handle Position").

5. Locate the corrugated tube clamp over the groove of the corrugated tube. The storage hook on the corrugated tube clamp should point towards the body of the tool.
6. Secure the corrugated tube clamp to the corrugated tube using a T25 wrench (included). The screw must be inserted through the hole on the body side of the tool, with the screw end pointing away from the body of the tool.

NOTE: Do not overtighten the screw. The control handle should be able to rotate freely, approximately three-fourths of the way around the tube.



ASSEMBLY

WARNING Recharge only with the charger specified for the battery. For specific charging instructions, read the operator's manual supplied with your charger and battery.

Inserting/Removing the Battery

To insert the battery, slide the pack into the body of the tool. Make sure it latches securely into place.

- The blower requires, at minimum, two charged battery packs to operate.
- The blower will not work with only one battery pack.
- There must be, at minimum, two charged battery packs in the same battery bay row for the tool to operate.
- For best results, use with (4) MILWAUKEE® HIGH OUTPUT 12.0 Ah battery packs.

WARNING Only use accessories specifically recommended for this tool. Others may be hazardous.

To remove the battery, push in the release buttons and pull the battery pack away from the tool.

WARNING Always remove the battery pack any time the tool is not in use.

Installing/Removing the Nozzles

To install the nozzles:

1. **WARNING** Remove battery to avoid starting the tool.
2. Line up the tabs on the nozzle with the notches on the tube.
3. Slide the nozzle onto the tube until it snaps in place.
4. Pull on the nozzle to ensure it is secure.
5. To remove, press the tabs in and pull away from the tool.

Fuel Gauge

Use the Fuel Gauges to determine the lowest battery pack's remaining run time. The Fuel Gauges are numbered to correspond with the individual battery bays. When less than 10% of charge is left, 1 light on the fuel gauge will flash slowly. When the battery reaches 0% charge, 1 light on the fuel gauge will flash quickly. Charge the battery packs.

If a Fuel Gauge doesn't appear to be working, place the corresponding battery pack on the charger and charge as needed. If that doesn't solve the issue, return the tool, battery pack and charger to the nearest authorised service centre.

NOTE: Both batteries must be installed in a given battery bay for the Fuel Gauges to work.

Immediately after using the battery pack, the Fuel Gauge may display a lower charge than it will if checked a few minutes later. The battery cells "recover" some of their charge after resting.

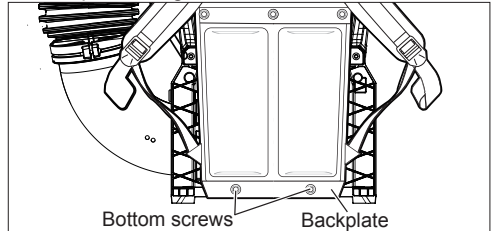


Fuel Gauge Lights	Diagnosis	Solution
Lights 1-4 Solid	Remaining run time	Continue working
1 Light, flashing slowly	Less than 10% run time left	Prepare to charge pack
1 Light, flashing quickly	End of discharge	Charge pack

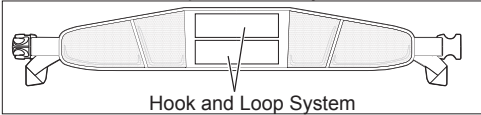
Installing/Removing the Hip Belt

To install the waist belt onto the M18 FUEL™ Dual Battery Backpack Blower:

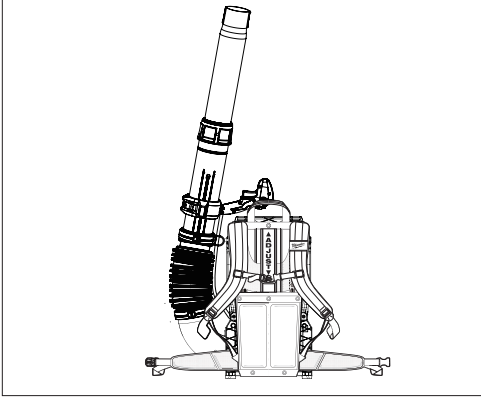
1. **WARNING** Remove battery to avoid starting the tool.
2. Remove the two screws at the bottom of the backplate using a T30 wrench.



- Line up the hip belt so that the bottom is flat, and the hook and loop side is away from the tool.

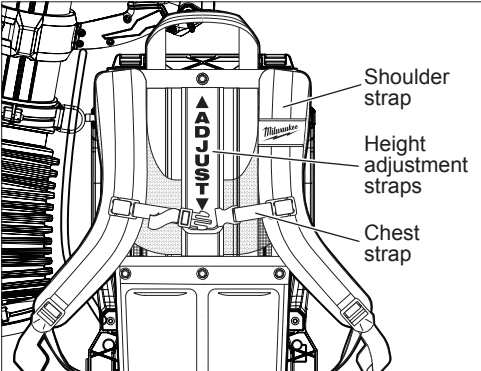


- Place the waist belt through the opening in the backplate. Line up the hook and loop of the waist belt with the hook and loop of the backplate. Press down on the backplate to ensure the hook and loop adheres.
- Reinstall the two screws at the bottom of the backplate using a T30 wrench.



Putting on the Backpack

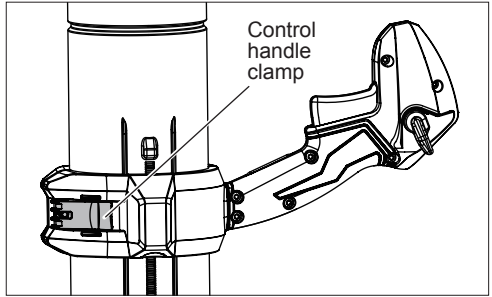
- Ensure backpack is securely latched to base.
- Pick up the backpack by one of the shoulder straps. Slide your arms through each shoulder strap.
- With the tool on your back, tighten the shoulder straps until they fit snugly and securely. Connect chest strap.
- Be sure the shoulder and chest straps are tight but comfortable; if they are too loose, the tool may slide around on your back, making it uncomfortable to wear.
- If needed, the height of the shoulder straps can be adjusted. To adjust, release the height adjustment straps. Move the shoulder straps to the desired height, and then secure the height adjustment straps.



- Be aware: tool forces may shift during use and movement, such as twisting or bending over.

Adjusting the Control Handle Position

- Open the control handle clamp.



- Move the control handle to the desired position.
- Close the control handle clamp. Ensure the clamp completely snaps into place.

Adjusting the Extension Tube

- Rotate the collar anticlockwise. Pull the extension tube to the desired position.
- Rotate the collar clockwise to lock the extension tube in place.

Storing the Tool

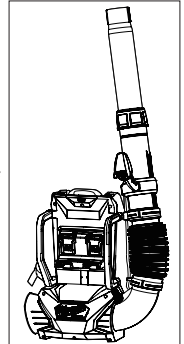
When not in use, the tube can be clipped to the body of the tool using the storage hook.

To **attach**, slide the ring on the extension tube into the storage hook. Rotate the collar clockwise to lock the extension tube in place.

To **remove**, pull the ring out of the storage hook and away from the body of the tool.

OPERATION

⚠ WARNING To reduce the risk of injury, always wear safety goggles or glasses with side shields.



Starting, Stopping and Controlling Speed

⚠ WARNING Do not point tool at self or bystanders. Keep bystanders 15 m away during use. Objects may be thrown or ricochet in all directions.

- To **start** the tool, grasp the handle firmly and pull the trigger.
- To **vary** the speed, increase or decrease the pressure on the trigger. The further the trigger is pulled, the greater the speed.
- To **stop** the tool, release the trigger. Ensure the tool has come to a complete stop before laying the tool down.

Using the Mode Cycle Button

Use the mode cycle button to cycle between low, medium, and high modes. The LED indicators will change to indicate which mode the tool is currently in.

Using the Variable Speed Lock-On

Use the variable speed lock-on to maintain a set speed while operating the tool.

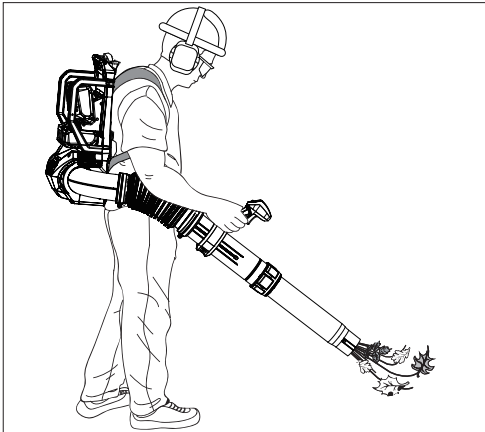
To **initiate** the variable speed lock-on, hold down on the trigger and push up the variable speed lock-on with your thumb.

To **disable** the variable speed lock-on, hold down on the trigger and pull down the variable speed lock-on with your thumb.

Using the Blower

WARNING Inspect the area before using the blower. Remove all debris and hard objects such as rocks, glass, wire, etc. that can ricochet, be thrown, or otherwise cause injury or damage during operation.

1. Hold the end of the tube or nozzle 125-150 mm above the ground.
2. Slowly sweep the blower from side to side.
3. Move forward slowly, working the debris into a pile.



In the event of blockages, release the trigger and remove the batteries before clearing any debris.

MAINTENANCE

WARNING To reduce the risk of injury, always unplug the charger and remove the battery pack from the charger or tool before performing any maintenance. Never disassemble the battery pack, charger, or tool, except as provided in these instructions. Contact a **MILWAUKEE**® service facility for ALL repairs.

Maintaining Tool

Keep your tool, battery pack and charger in good repair by adopting a regular maintenance program. Inspect your tool for issues such as undue noise, misalignment or binding of moving parts, breakage of parts, or any other condition that may affect the tool operation. Return the tool, battery pack, and charger to a **MILWAUKEE**® service facility for repair. If the tool does not start or operate at full power with a fully charged battery pack, clean the contacts on the battery pack. If the tool still does not work properly, return the tool, charger and battery pack, to a **MILWAUKEE**® service facility for repairs.

Cleaning

Clean dust and debris from vents. Keep handles clean, dry and free of oil or grease. Use only mild soap and a damp cloth to clean, since certain cleaning agents and solvents are harmful to plastics and other insulated parts. Some of these include petrol, turpentine, lacquer thinner, paint thinner, chlorinated cleaning solvents, ammonia and household detergents containing ammonia. Never use flammable or combustible solvents around tools.

Repairs

For repairs, return the tool, battery pack and charger to the nearest authorised service centre.

ACCESSORIES

WARNING Use only recommended accessories. Others may be hazardous.

For a complete listing of accessories, go online to milwaukeeool.com.au / milwaukeeool.co.nz or contact an authorised distributor.

WARRANTY - AUSTRALIA and NEW ZEALAND

Please refer to Australian and New Zealand warranty supplied with tool. This warranty applies only to product sold by authorised dealers in Australia and New Zealand.

SERVICE - AUSTRALIA and NEW ZEALAND

MILWAUKEE® prides itself in producing a premium quality product that is Nothing But Heavy Duty™. Your satisfaction with our products is very important to us! If you encounter any problems with the operation of this tool, please contact your authorised **MILWAUKEE®** dealer.

For a list of **MILWAUKEE®** dealers, guarantee or service agents please contact **MILWAUKEE®** Customer Service or visit our website.

(Australia Toll Free Telephone Number 1300 645 928)

(New Zealand Toll Free Telephone Number 0800 645 928)

or visit milwaukeetool.com.au/milwaukeetool.co.nz.

Milwaukee Electric Tool Corporation

13135 West Lisbon Road, Brookfield, Wisconsin U.S.A. 53005

Milwaukee Tool (Australia)

26 - 40 Nina Link, Dandenong South,
Victoria, 3175, Australia

Milwaukee Tool (New Zealand)

274 Church Street, Penrose,
Auckland, 1061, New Zealand

DESIGNED BY MILWAUKEE ELECTRIC TOOL CORP.

PROFESSIONALLY MADE IN CHINA

PRINTED IN CHINA